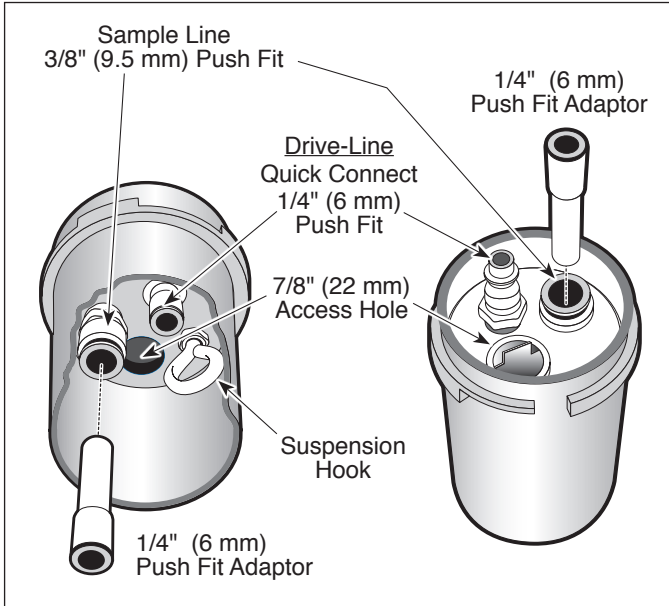


Solinst® *Dedicated Wellhead Instructions*

Model 407 and 408



407/408 Dedicated 2" Well Cap Assembly (#110227)

Instructions

The Dedicated 2" (50 mm) Well Cap Assembly come with two 1/4" (6 mm) Push Fit Adaptors, so that either 1/4" (6 mm) or 3/8" (9.5 mm) tubing can be used for the sample return line.

If 1/4" (6 mm) tubing is desired for the sample return line, simply push the Push Fit Adaptors into the existing 3/8" (9.5 mm) Push Fit Connectors until they seat (one Push Fit Adaptor for the top Connector and one for the underside).



To attach tubing just push into Push Fit Connector.
To release tubing push down on both sides of the Top Ring and pull tubing out.

Note: See separate operating instructions for the Model 407 Bladder Pumps and Model 408 Double Valve Pumps.